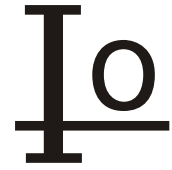


MBR20150LCT



20.0 AMP SCHOTTKY BARRIER RECTIFIERS

FEATURES

- Low Forward Voltage.
- Low Switching noise.
- High Current Capacity
- Guard-Ring for Stress Protection.
- Low Power Loss & High efficiency.
- Lead Free Finish/RoHS Compliant

MECHANICAL DATA

- Case: Molded Plastic
- Polarity: Symbols molded or marked on body
- Mounting position : Any
- Weight: 1.81 grams

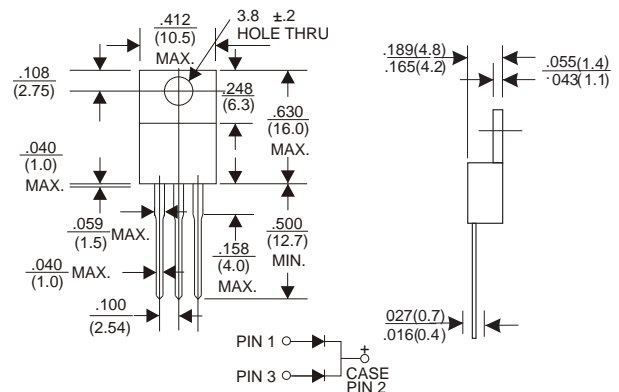
VOLTAGE RANGE

150 Volts

CURRENT

20.0 Ampere

TO-220AB



Dimensions in inches and (millimeters)

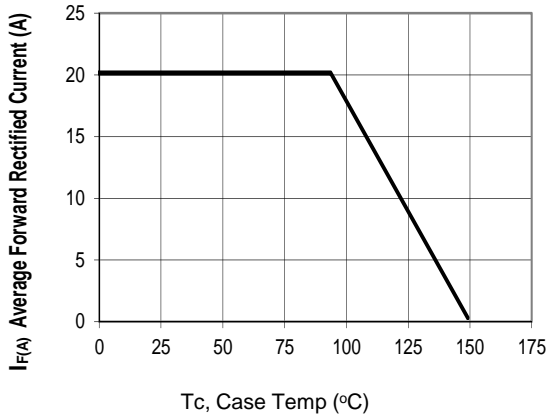
MAXIMUM RATINGS AND ELECTRICAL CHARACTERISTICS

Ratings at 25°C ambient temperature unless otherwise specified.

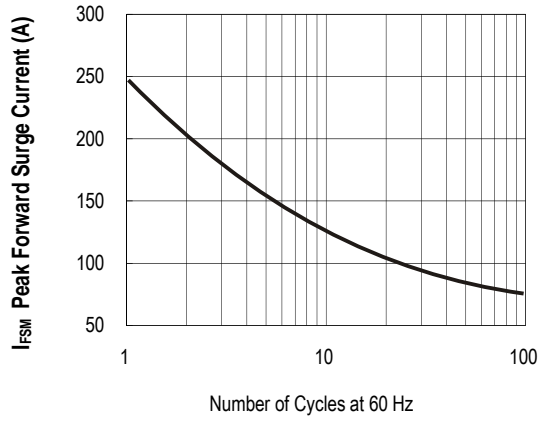
Characteristic	Symobl	MBR20150LCT	Unit	
Peak Repetitive Reverse Voltage	VRRM			
Working Peak Reverse Voltage	VRWM	150	V	
DC Blocking Voltage	VR			
Maximum RMS Voltage	VRMS	105	V	
Maximum Average Forward Rectified Current	I(AV)	20	A	
Non-Repetitive Peak Surge Current (Surge applied at rate load conditions halfware, single phase, 60Hz)	IFSM	250	A	
Maximum forward voltage	IF=10A	TJ= 25°C	0.85	V
		TJ= 125°C	0.68	
Maximum DC Reverse Current at Rated DC Blocking Voltage	@TC=25°C		0.50	MA
		@TC=125°C	100	
Typical Thermal Resistance	ROJC	2.0	°C/W	
Operating Temperature Range	TJ	-65to+150	°C	
Storage Temperature Range	TSTG	-65to+150	°C	
Voltage Rate of Change (Rated VR)	dv/dt	10,000	V/μs	

RATINGS AND CHARACTERISTIC CURVES (MBR20150LCT)

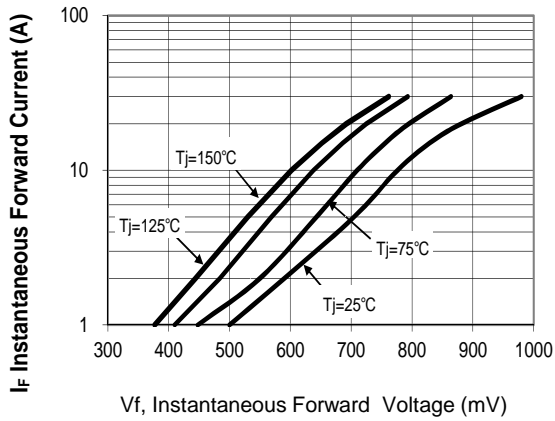
FORWARD CURRENT DERATING CURVE



MAXIMUM NON REPETITIVE PEAK FORWARD SURGE CURRENT



TYPICAL FORWARD CHARACTERISTIC



TYPICAL REVERSE CURRENT

